



## Specifications:

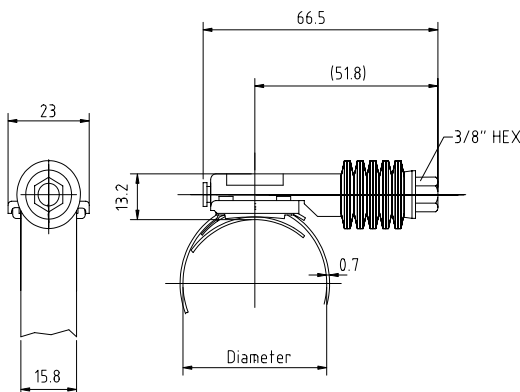
- Worm-Drive Clamp
- Spring-Loaded
- 15,8 mm wide, stainless steel band
- Perforated band
- Inner Liner
- Stainless steel band, saddle, housing, and belleville springs
- Carbon steel plated screw (Cr VI-free)

Series CT : 3/8" Hex Head

Series HKF: 10mm Hex Head, round band edges

## Characteristics:

Heavy-duty construction spring-loaded style clamp, 15,8 mm wide band.



**Installation Torque:** = < 12 Nm

**Failure Torque:** > 16 Nm

The spring-loaded worm-drive clamp with the advantage of large diameter range provides high band load comparable to T-Bolt style of clamps.

The Belleville springs react to changes in hose systems, like vibrations, „cold flow“, or changes in environmental or operational temperatures, by actually increasing or decreasing the clamp diameter as the system expands or contracts.

## Applications:

- Meets highest requirements in general industry, construction equipment and automotive industries with high pressured applications and temperature changes e.g. charger air applications.